

GUARDIAN ANGLE

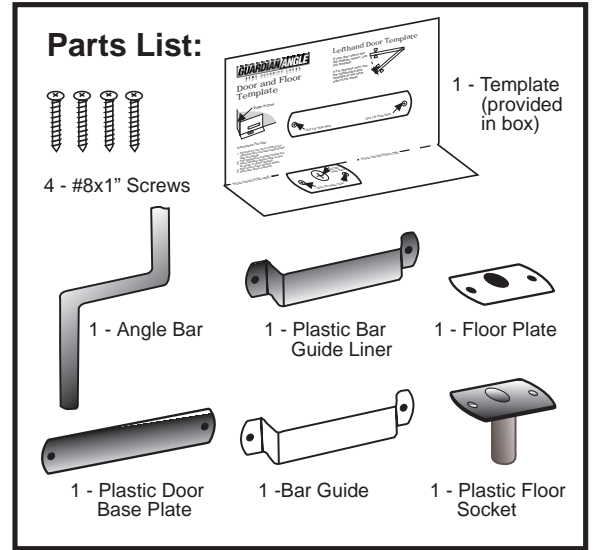
HOME SECURITY LOCKS

Easy 2-Step Installation

IMPORTANT: In order to install the Guardian Angle Lock:

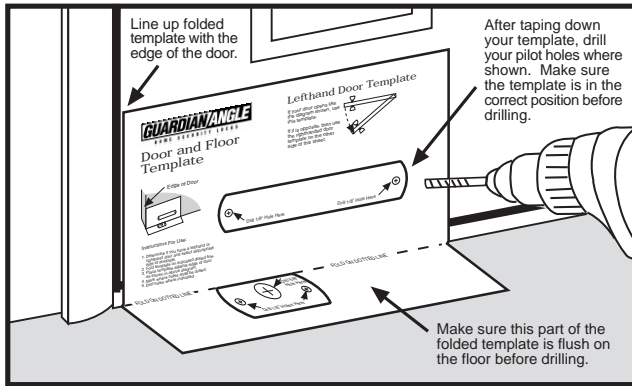
1. Requires at least 3/4" clearance between the bottom of your door and the floor.
2. The threshold cannot protrude out more than 7/8" from the face of the door.

If you are unsure of these requirements please call Guardian Angle before installing the lock at 1-503-826-8127, 8am-5pm M-F PST.



Tools Needed:

Power Drill, Phillips Screwdriver, 5/8" Drill Bit, and 1/8" Drill Bit



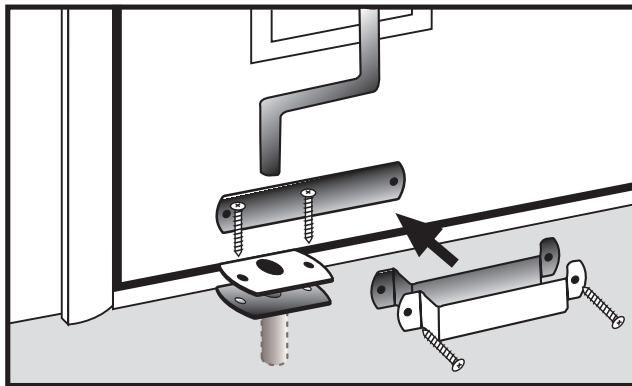
1

DRILL HOLES WITH HANDY NO-MEASURE TEMPLATE

First determine if your door is lefthanded or righthanded. Select the proper side of the template for your type of door. Fold the template where shown. Now place the template against the door so the edge of the door and the edge of the template line up. The folded part of the template (short side) should be flush on the floor. When you are certain the template is in place correctly, tape the template to the door and floor.

Now drill a 5/8" hole in the floor where indicated on the template. This hole should be 2 1/2" deep. Next, drill 4-1/8" pilot holes as shown on the template.

NOTE: If your floors are tile or concrete, use a masonry bit for the holes in the floor.

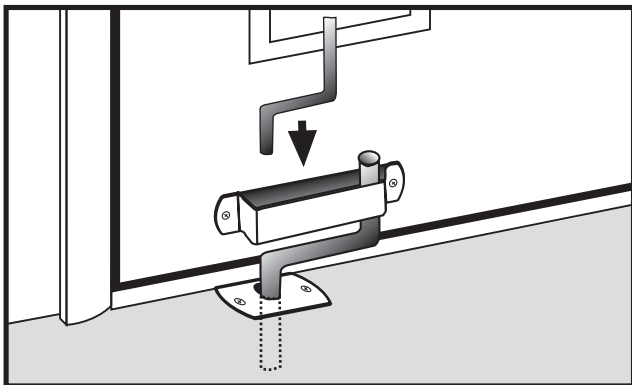


2

INSTALL FLOOR PLATE AND BAR GUIDE

Remove the template from the door and floor after you have drilled all the holes. Place the plastic floor socket into the 5/8" hole in the floor. Line up the holes in the floor socket with your predrilled pilot holes. Next, place the floor plate over the floor socket and secure entire assembly to the floor with 2 - #8x1" screws provided.

Next, place the plastic bar guide liner into the bar guide. Remove the film on the metal bar guide before installing. Now line up the plastic door base plate with the predrilled pilot holes and place the bar guide liner and bar guide over the base plate. Install the entire assembly with 2-#8x1" screws provided.

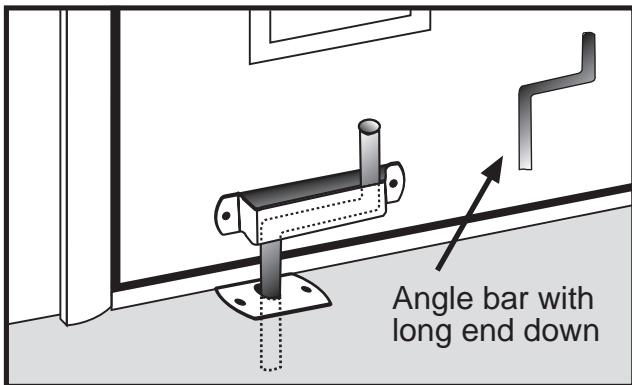


Congratulations! Your lock is ready for use. Place the angle bar into the floor socket to begin using the lock.

Read the back of this sheet for instructions on how to use your Guardian Angle home security lock.

NOTE: For more information and frequently asked questions, please visit our web site at:
www.guardiananglelocks.com.

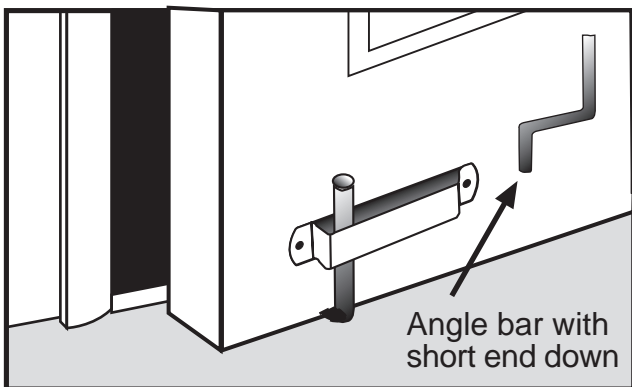
Three Important Positions For Your Lock



1. DEAD BOLT POSITION

Putting the long end of the angle bar down in the floor socket creates a dead bolt lock position for your door. This is an extremely secure lock position. The door will not come open.

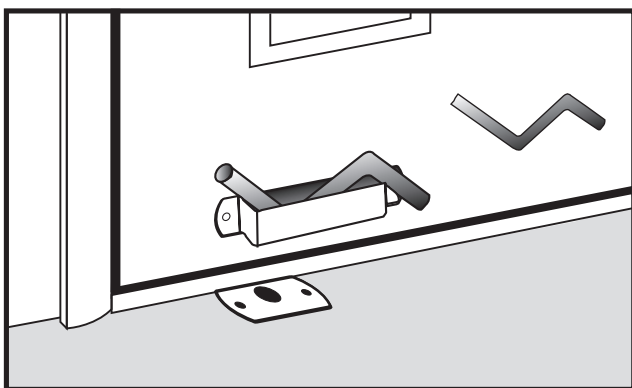
This position is recommended at night for extra security.



2. SAFE VIEWING POSITION

Putting the short end of the angle bar down in the floor socket will allow you to open the door but only a few inches. The door is still secure while allowing you to view out. This is the safe viewing position.

This position is recommended during the day to check out strangers that come to your door or to take deliveries from strangers.



3. NON-USE POSITION

When your lock is not in use, or you need to open your door to many visitors at once, you can place the angle bar in the bar guide as shown. Your bar is out of the way but always on hand when you are ready to use it.

GUARDIAN ANGLE LOCK COMPANY

Phone: 1-503-826-8127, 8am-5pm M-F PST

Mail: GUARDIAN ANGLE LOCK COMPANY, P.O. BOX 1767, Sandy, OR 97055

Email: info@guardiananglelocks.com

Web Site: www.guardiananglelocks.com